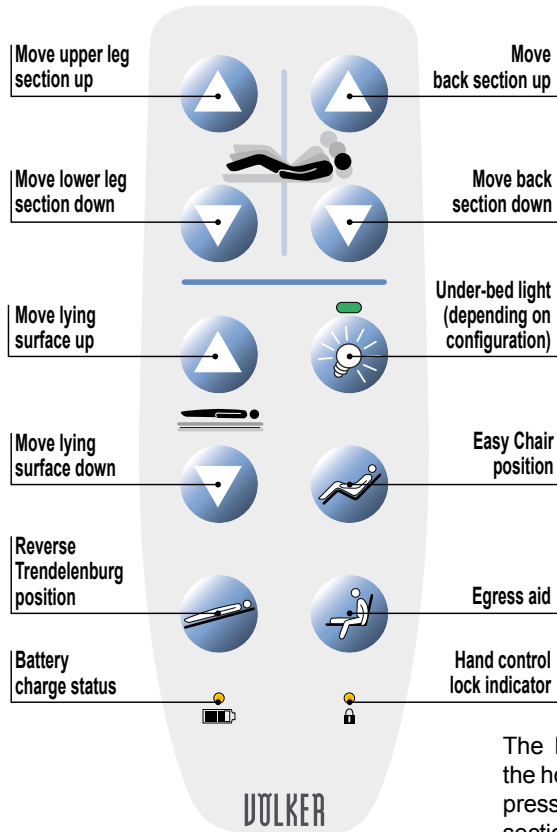


Völker S 964 Hospital Bed: Quick User Guide

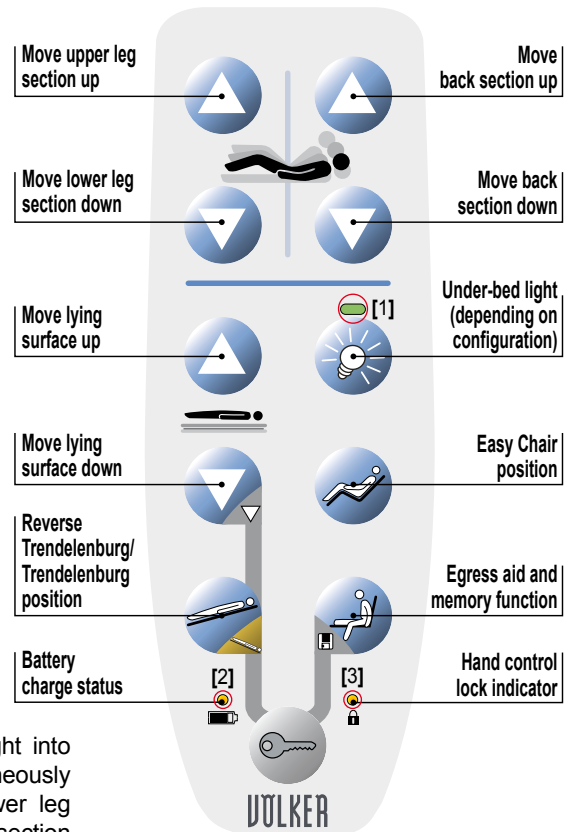
Models from 12/2017

VÖLKER

Patient hand control E2508



Patient/nurse hand control E2507



The lying surface can be brought into the horizontal position by simultaneously pressing the buttons "Move lower leg section down" and "Move back section down".

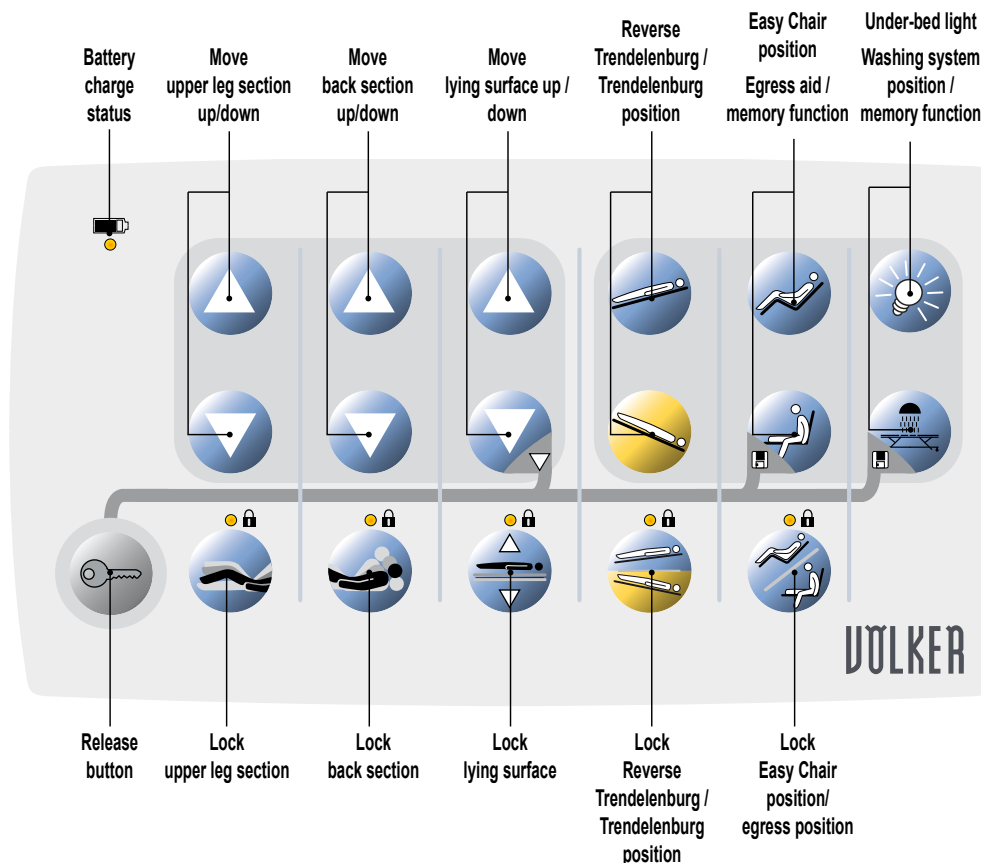
Meaning of the LEDs

Under-bed light [1] This LED is permanently lit to make it easier to find the hand control unit and/or the under-bed light button.

Battery status [2] If the battery is sufficiently charged, this LED will not light up. During charging, the LED will light up permanently. If the charge status of the battery is critical, the LED will flash when the hand control unit or keypad is pressed.

[3] Hand control unit lock If the hand control unit is locked using the magnetic key, the LED will light up permanently. When an operator attempts to use individual locked functions, the LED will flash.

Nurse control BG6285



WARNING When adjusting the bed with the side rails raised, ensure that the patient does not come into contact with the assist rails. Also ensure that no part of the patient's or any other person's body protrudes through the assist rails or comes between the lying surface and the undercarriage or floor!

Völker S 964 Hospital Bed: Quick User Guide

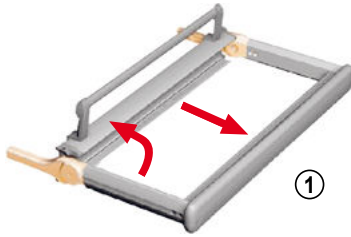
Models from 12/2017

VÖLKER

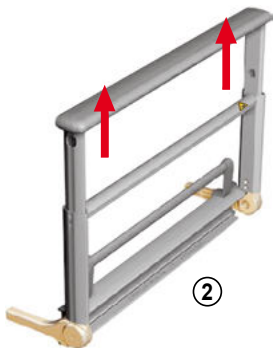
Side rail

1. Raising an side rail

Pull out the side rail horizontally as far as it will go and then fold it upwards (1).

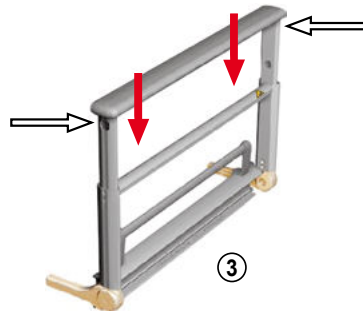


Pull up the telescopic part as far as it will go (2).

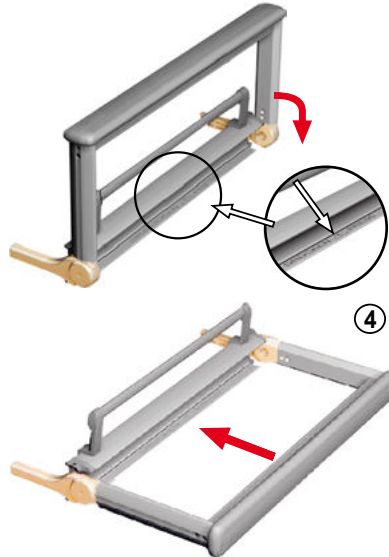


2. Lowering an side rail

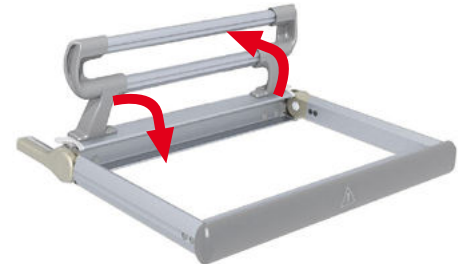
Press the two buttons on the outside of the frame to move the telescopic part to its lowest position. (3).



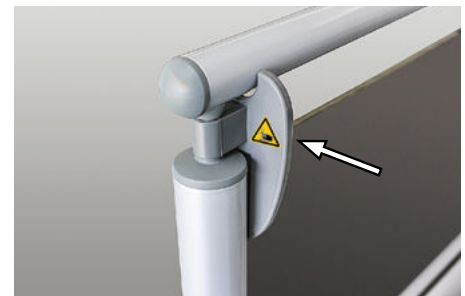
Press the trigger labelled "Drücken/Press" at the bottom of the assist rail. Then tilt the rail until it is horizontal and parallel with the floor. Slide in the side rail until it is fully retracted under the lying surface (4).



When using the elevated side rails (43.5 - 45 cm), the mattress holders must be opened before raising the rails and closed again after the rails have been retracted (not illustrated).



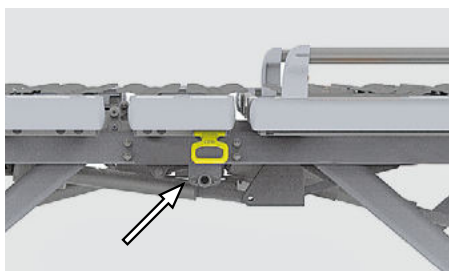
Note that side rails with a height of 43.5 - 45 cm may only be used in combination with clamps on the head board and foot board. The head board and foot board must be positioned in such a way that the clamps are aligned with the inner side of the bed. The warning sticker indicates the risk of crushing injuries at this part of the bed.



WARNING The side rails should always be handled and moved up or down by placing two hands at the ends of the respective element.

Rapid lowering of the back section/CPR function

The bed has a mechanical function to quickly lower the back section in the event of resuscitation.



Levers to quickly lower the back section for resuscitation are located on both sides under the seat section.

To quickly lower the back section, pull the yellow lever forwards. The back section will be lowered rapidly.

The backrest motor will be automatically re-enabled when the CPR handle is released.

Improper use of the CPR function may cause damage to the bed and/or the motor that controls the back section!

WARNING The CPR function (Cardiopulmonary Resuscitation function) may only be carried out by trained personnel and only in the case of an **emergency!**

WARNING The CPR function must **not** be used as a replacement for the hand control to lower the back section!